

Dual HF

DALI-2 APC - in-ceiling installation
 EAN 4007841 079499
 Article number 079499



Hochfrequenz
Sensor 360°



Max. 20 x 3 m



IP20



Ideal 2,5 - 3,5 m



Innen-
Bewegungsmelder



iQ-mode



Teach mode



Energie sparen



5 years
Herstellergarantie
steinel-
professional.de/
garantie



CE

Function description

Twice as vigilant. High-frequency corridor sensor Presence Control PRO DUAL HF DALI-2 Application Controller for indoors, ideal for passageways and long corridors, installation height up to 3.5 m, with digital DALI-2 Application Controller interface for controlling 2 lighting channels, DUAL-HF technology for radial detection of 20 m in two directions, detection regardless of temperature, HF-sensor technology also detects movement through glass, wood and stud walls, switches light 'ON' almost instantly.

Technical specifications

Dimensions (L x W x H)	112 x 120 x 120 mm	Optimum mounting height	2,8 m
Manufacturer's Warranty	5 years	HF-system	5,8 GHz
Settings via	Remote control, DIP switches, Potentiometers, Smart Remote	Detection	also through glass, wood and stud walls
With remote control	No	Detection angle	Aisle, 360 °
Version	DALI-2 APC - in-ceiling installation	Angle of aperture	140 °
PU1, EAN	4007841079499	Sneak-by guard	Yes
Type	Presence detector	Capability of masking out individual segments	No
Application, place	Indoors	Electronic scalability	Yes
Application, room	corridor / aisle, Indoors	Mechanical scalability	No
Colour	white	Reach, radial	20 x 3 m (60 m ²)
Colour, RAL	9010	Reach, tangential	20 x 3 m (60 m ²)
Includes corner wall mount	No	Transmitter power	< 1 mW
Installation site	ceiling	Functions	Normal / test mode, Semi-/fully automatic, Pushbutton / switch mode, Manual ON / ON-OFF, Constant-lighting control ON-OFF
Installation	In-ceiling installation, Ceiling		
IP-rating	IP20		

Dual HF

DALI-2 APC - in-ceiling installation
EAN 4007841 079499
Article number 079499



Technical specifications

Ambient temperature	-25 – 55 °C
Material	Plastic
Mains power supply	230 V / 50 – 60 Hz
Steuerausgang, Dali	Broadcast 2x12 electronic ballasts
With bus coupling	Yes
Technology, sensors	High frequency, Light sensor
Mounting height	2,50 – 3,50 m
Mounting height max.	3,50 m

Twilight setting	10 – 1000 lx
Time setting	30 s – 30 Min.
Basic light level function	Yes
Basic light level function time	1-60 min, all night
Main light adjustable	50 - 100 %
Twilight setting TEACH	Yes
Constant-lighting control	Yes
Interconnection	Yes
Type of interconnection	Master/slave
Interconnection via	Cable

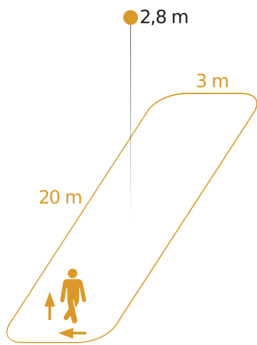
Accessories

EAN 4007841 592806	User remote control RC5
EAN 4007841 003036	Control PRO guard cage
EAN 4007841 009151	Remote control Smart Remote
EAN 4007841 559410	Service remote control RC8

Dual HF

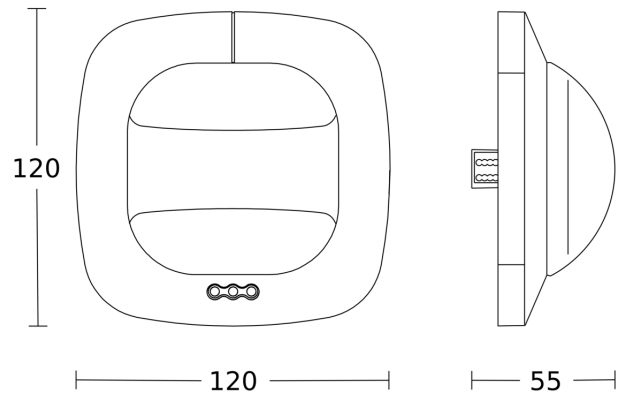
DALI-2 APC - in-ceiling installation
 EAN 4007841 079499
 Article number 079499

Detection Zone

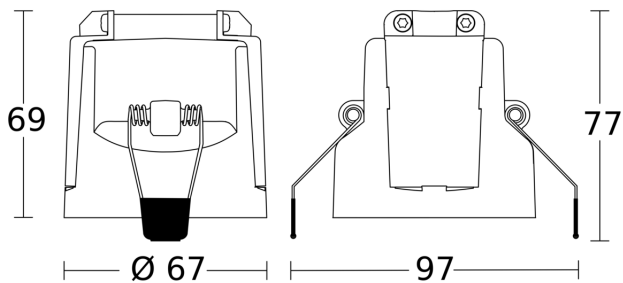


Possible mounting height: 2,50 m - 3,50 m
 Orange: radial and tangential

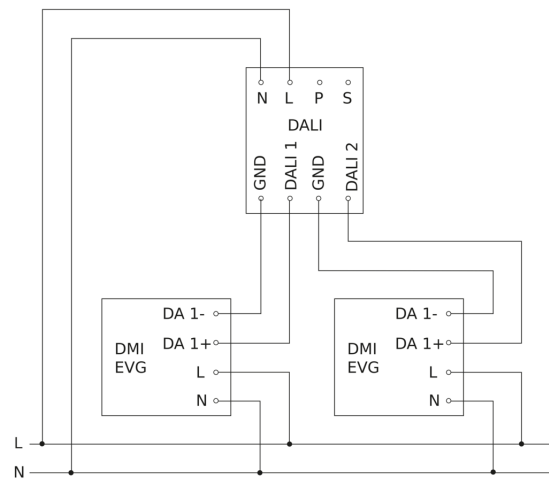
Dimension Drawing 1



Dimension Drawing 2



Master circuit diagram



Dual HF

DALI-2 APC - in-ceiling installation
EAN 4007841 079499
Article number 079499

Master/slave interconnection circuit diagram

